



## Electric battery operated Carry-Deck Mobile Crane Max. Capacity **Kg. 10.000**



	
<b>ON WHEEL</b>	
OUT REACH (mm)	PORTATA (kg)
3.000	4.900
6.000	1.500
7.000	1.000



	
<b>OUTRIGGER</b>	
OUT REACH (mm)	PORTATA (kg)
3.000	5.400
6.000	2.500
7.000	2.000

### TECHNICAL DATA

**TRACTION:** by DC 10kW 48V reversible electric motor , controlled by inverter, variable speed controlled by electronic diagnostic, temperature control and alarm on brushes wear.

**TRANSMISSION:** differential axle with reduction gear between motor and wheels.

**BATTERY:** 48V 960Ah battery, battery meter on dashboard.

**BRAKES:** Hydraulic brake drum on the front and rear wheels. Parking hand brake mechanically operated.

**SUSPENSION:** oscillating rear axle.

**OUTRIGGERS:** four horizontal independent outriggers, controlled by safety valves.

**WINCH:** hydraulic controlled by safety device.

**WHEELS:** Nr. 4 superelastic 300 R15

**BOOM:** boom fabricated from preformed and welded quality steel plate. Nr.4 telescoping sections: 1 fixed; 2 hydraulically telescoping. Fitted with nylon wear pads adjustable wear pads on the sides. Incorporated manual extension 360° slewing.

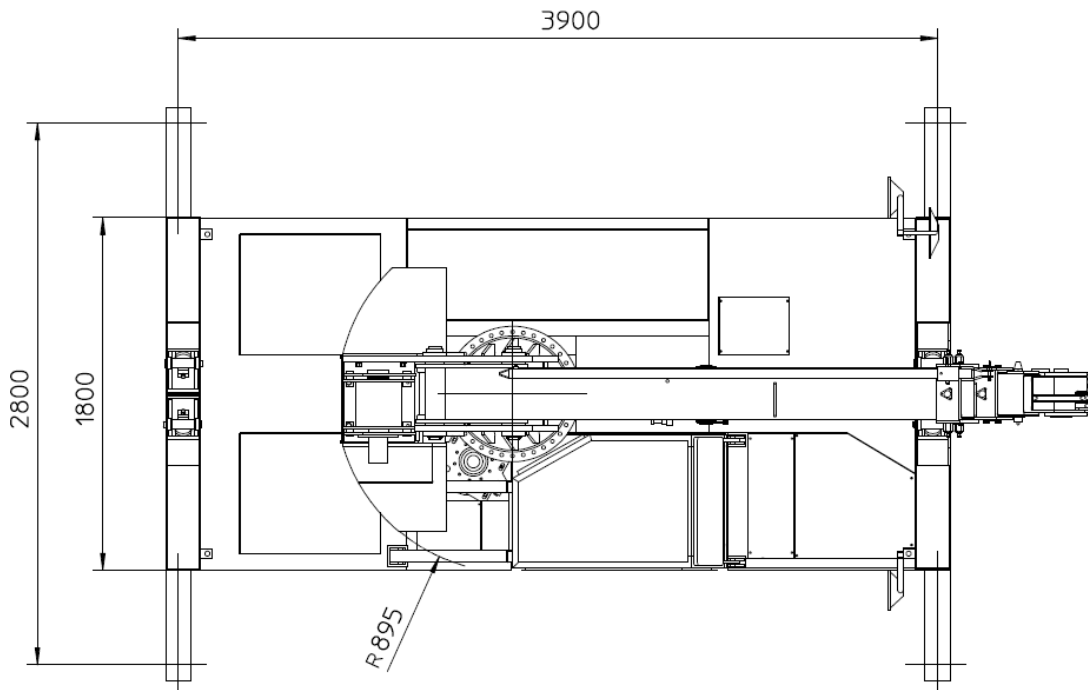
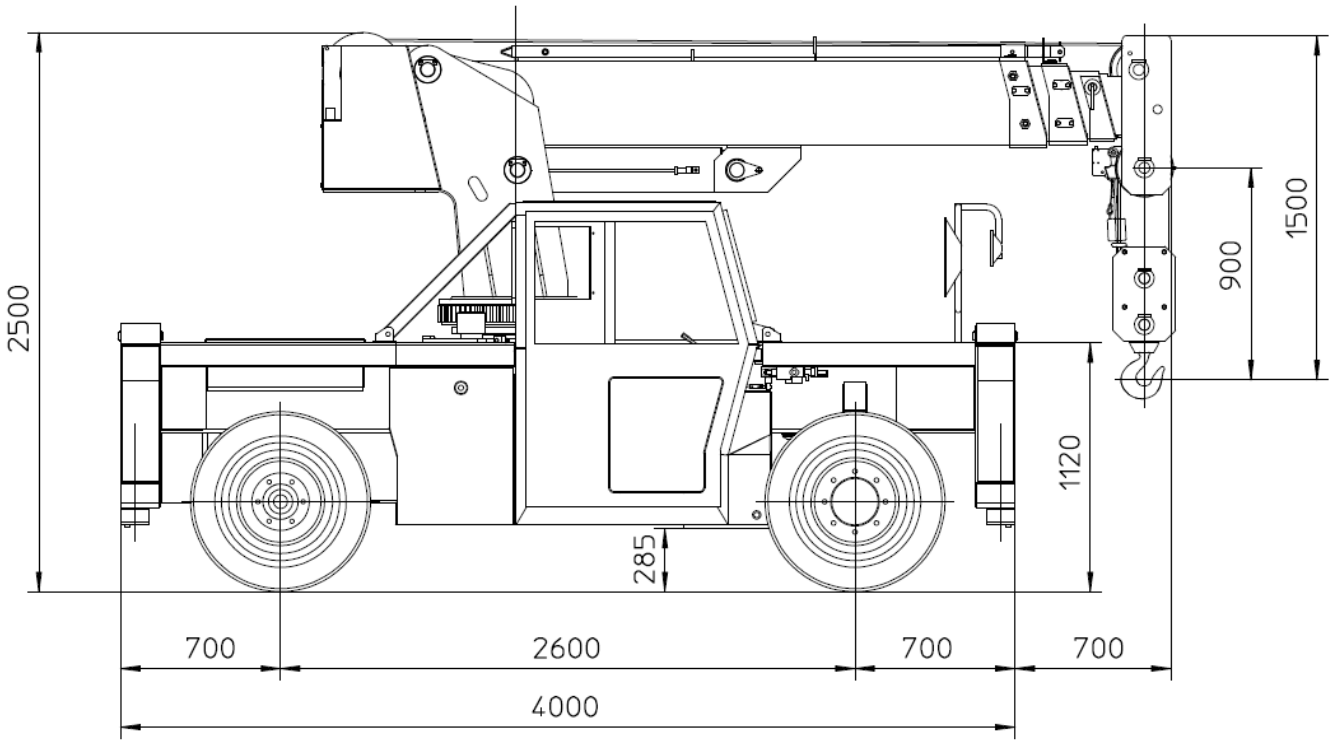
**BOOM CONTROL:** Proportional distributor controlled with joystick. Fitted with filter and safety valves. Motor driven pump 8 Kw 48V CC.

**LMI:** Electronic Load Moment Indicator. Display showing lifted load, max allowed load, tilting percentage, operative radius, angle, telescope and light indicators on the operative mode.

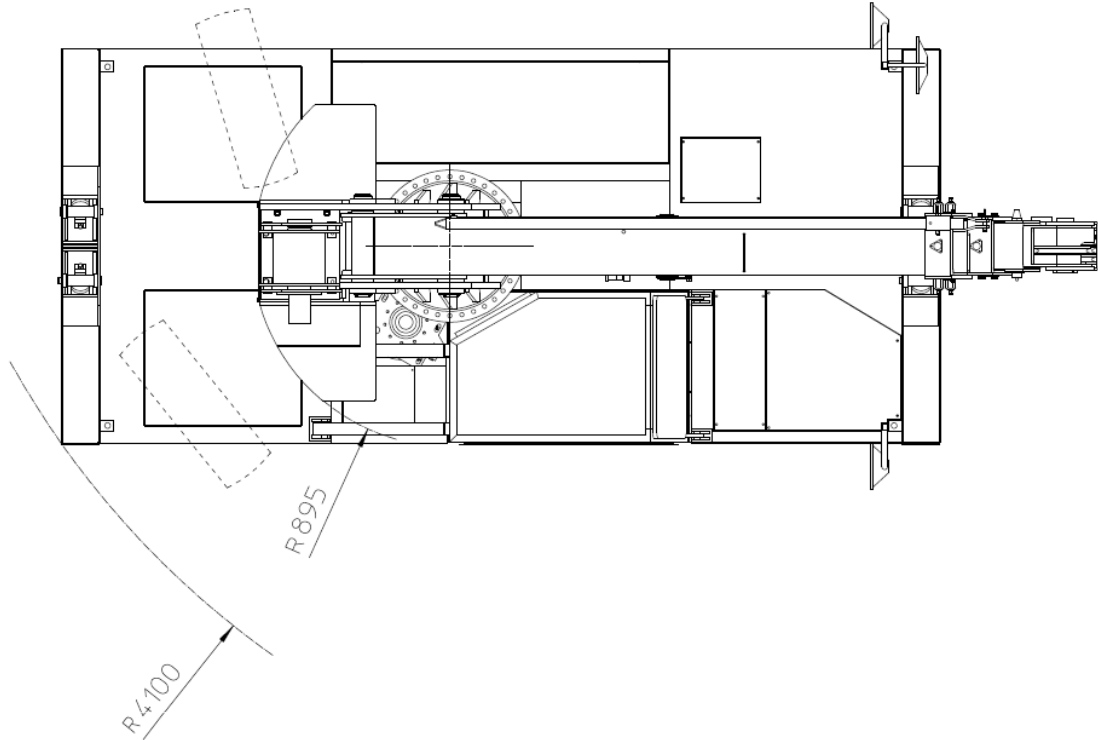
**TOTAL WEIGHT:** kg. 11.500 **MAX. CAPACITY:** kg. 10.000

**Options on request:** 4 Wheel Steering, swingaway Jib extension (0° -45° ), man bucket, remote control, enclosed cab, working light, fire extinguisher.

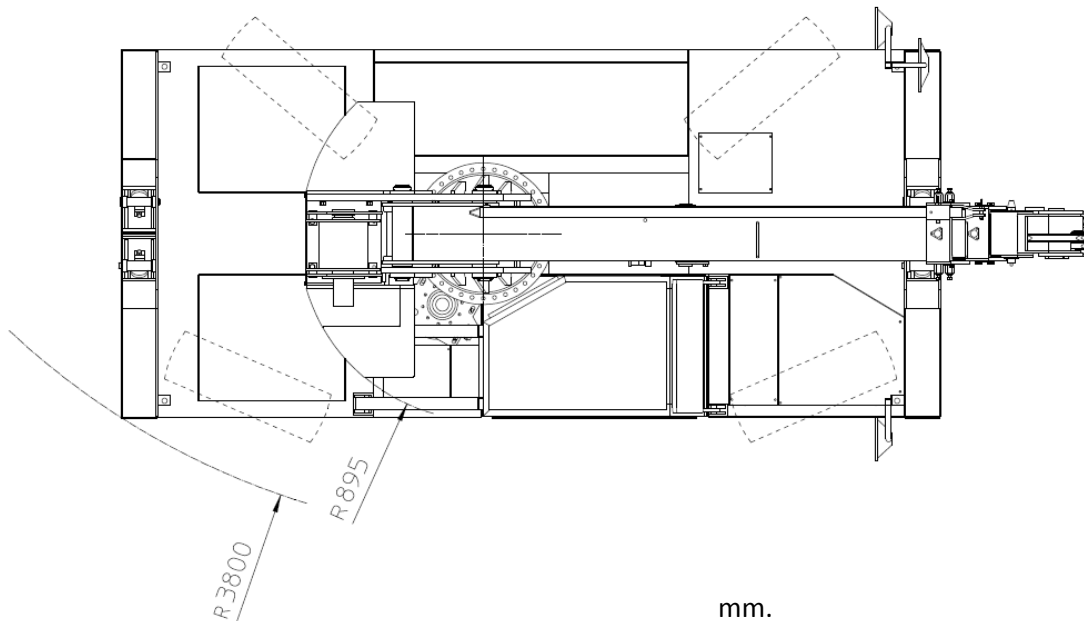
Valla E Crane complies with follows:  
 -2006/42/CE  
 -UNIEN13000  
 -I.S.P.E.S.L.



## 2 WS



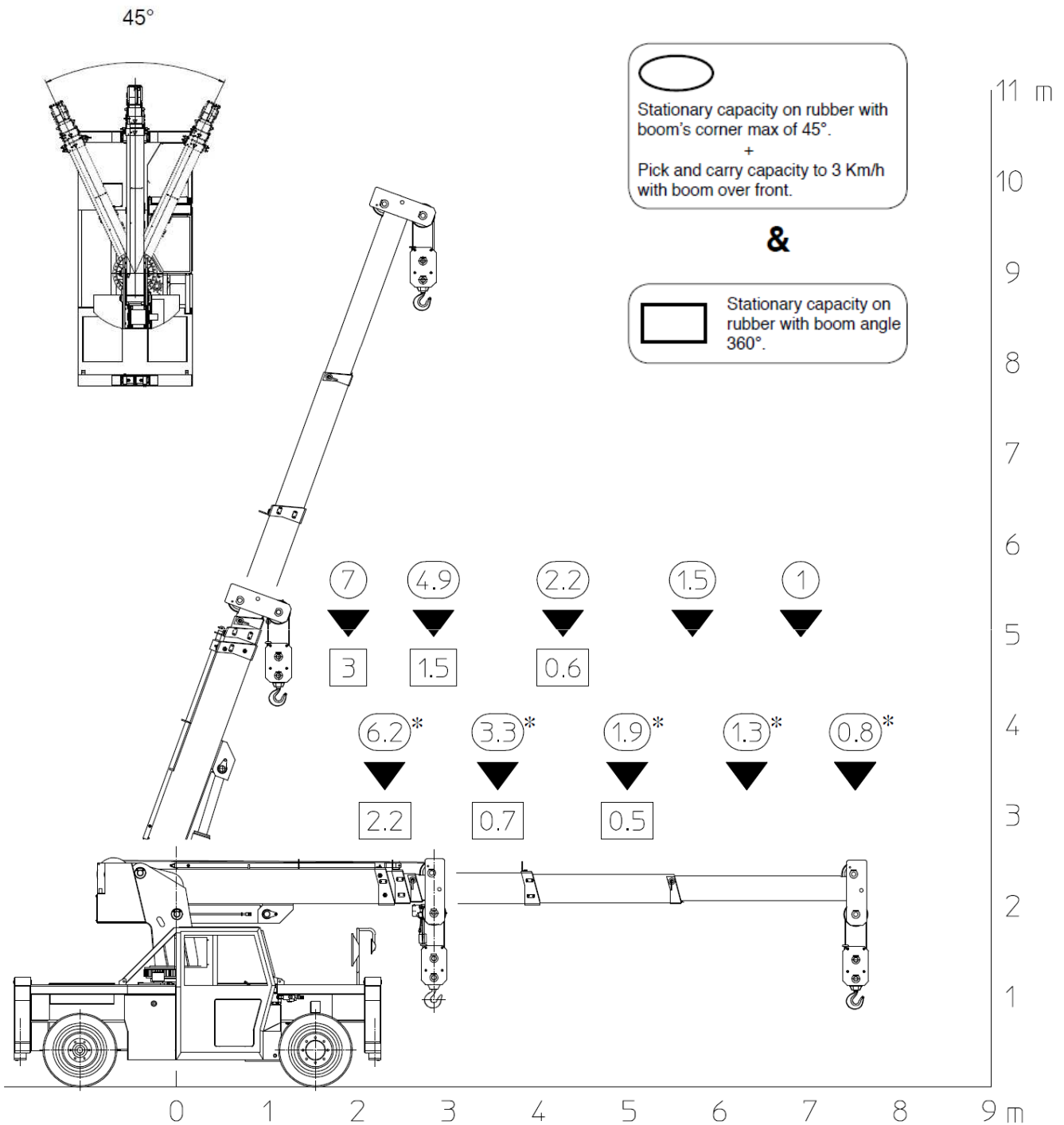
## 4 WS (OPTIONAL)



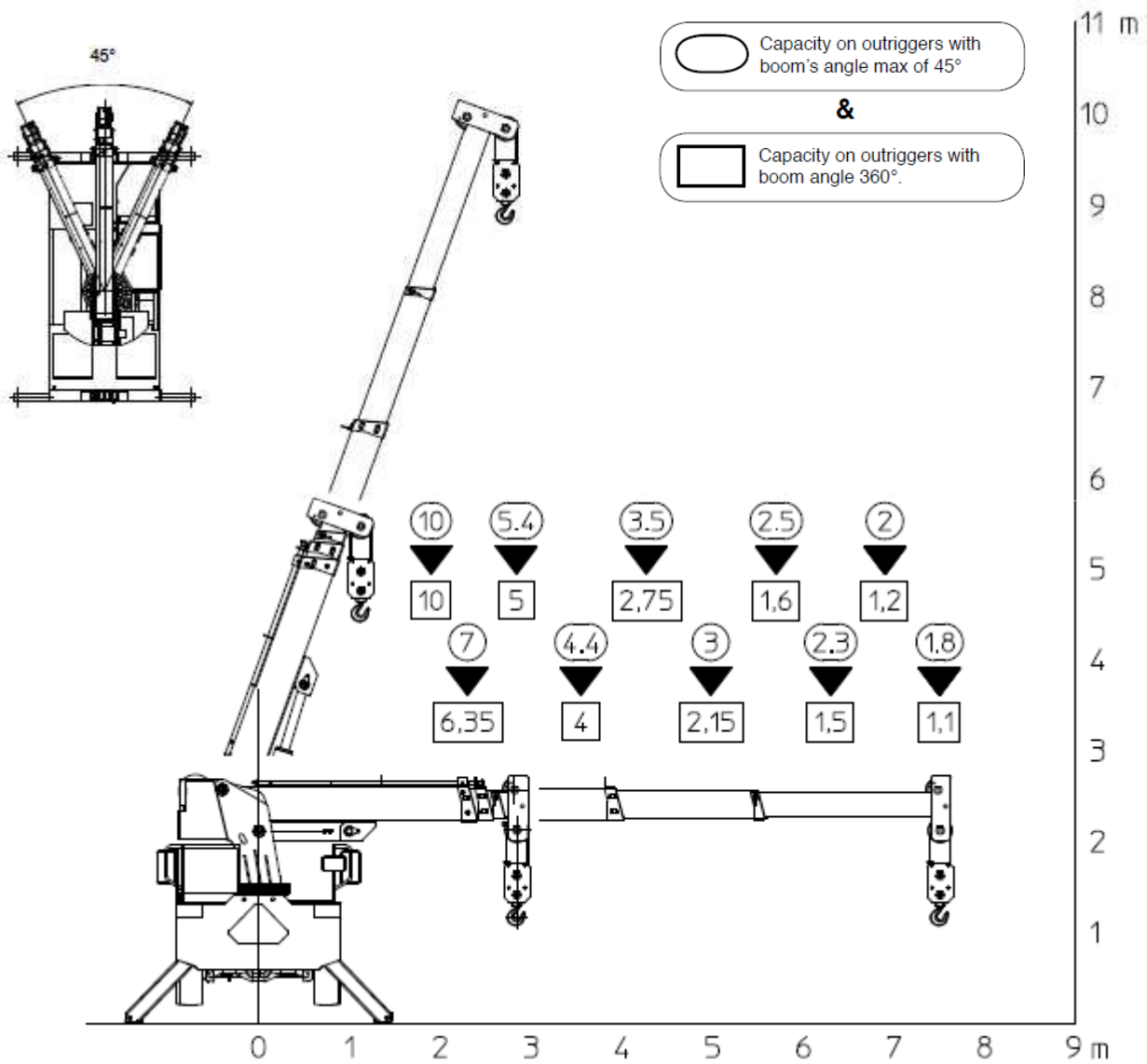
mm.

Valla E Crane complies with follows:

- 2006/42/CE
- UNIEN13000
- I.S.P.E.S.L.

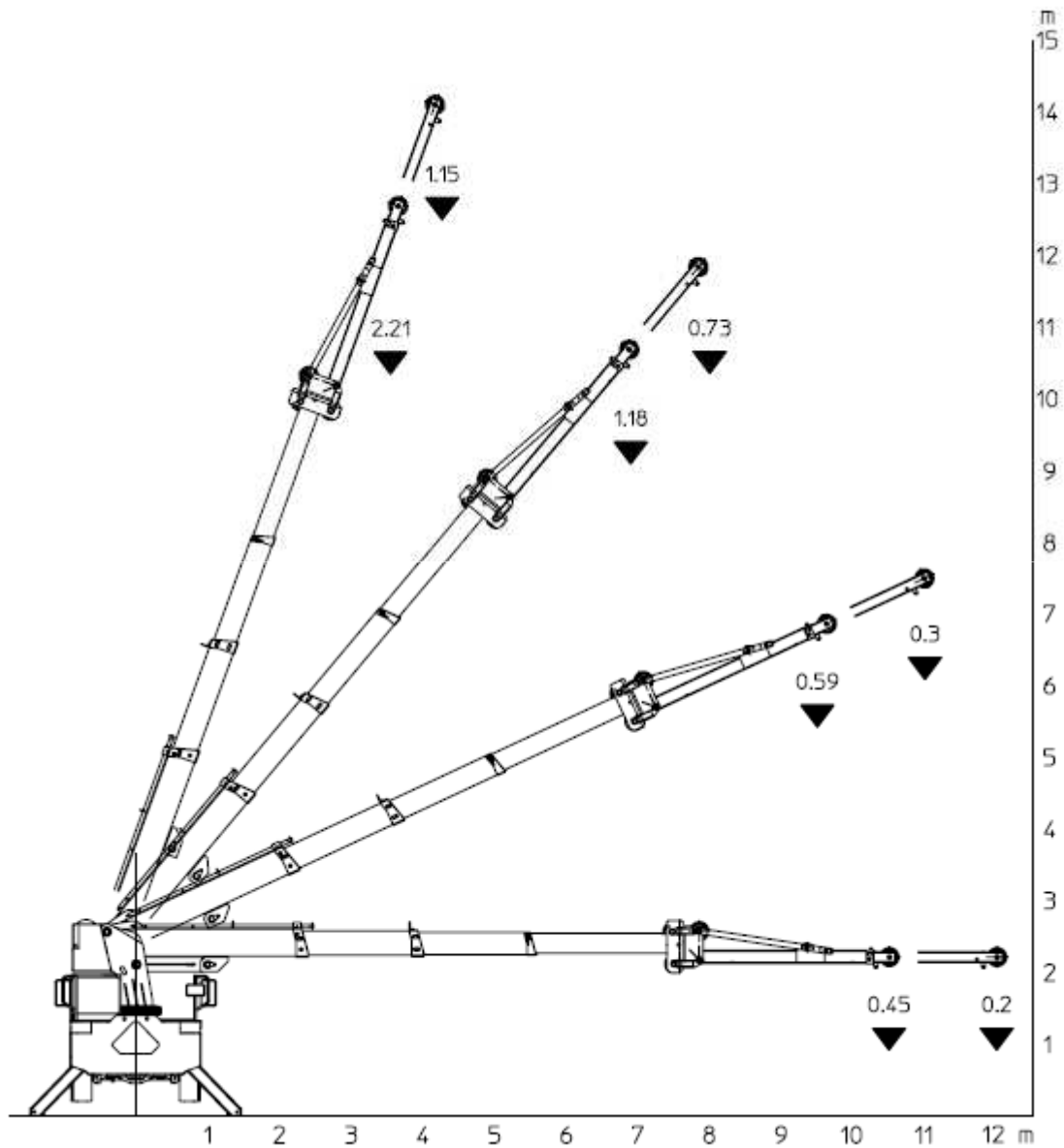


Data subject to be changed without any previous notice. Pictures may differ from technical description.

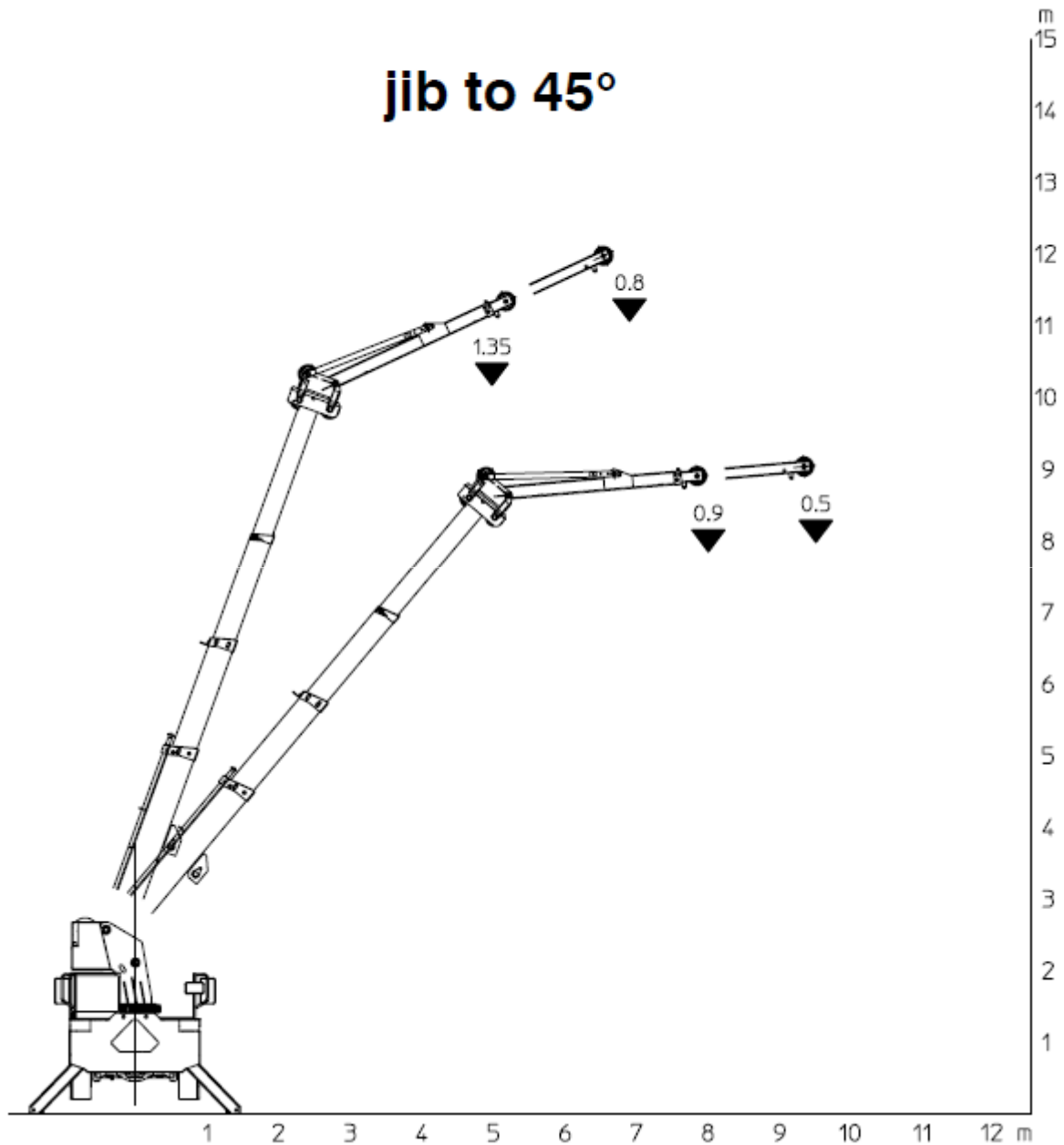


Data subject to be changed without any previous notice. Pictures may differ from technical description.

**jib to 0°**



Dati soggetti a variazione senza obbligo di preavviso. Le foto possono differenziarsi dalla scheda descrittiva.



Data subject to be changed without any previous notice. Pictures may differ from technical description.

LIFTING CAPACITY MOD. 1725-22/SE-SD						
RADIUS (mt)	ON OUTRIGGERS				ON RUBBER	
	360°	OVER FRONT (max 45°)	WITH JIB 360°		STATIONARY CAPACITY OVER FRONT (max 12°)	PICK AND CARRY CAPACITY UP TO 3 km/h (boom over front)
		0° retracted	45° retracted	0° extended	45° extended	
1.90	10.000	10.000				7.000 3.000 7.000
2.30	6.350	7.000	2.390			6.200 2.200 6.200
2.85	5.000	5.400	2.240	1.410		4.600 1.500 4.900
3.55	4.000	4.400	2.210	1.320		3.300 700 3.300
4.30	2.750	3.500	1.870	1.530 1.150		2.200 600 2.200
5.00	2.150	3.000	1.700	1.400 1.040		1.900 500 1.900
5.70	1.600	2.500	1.530	1.280 960 840		1.500 1.500
6.30	1.500	2.300	1.400	1.180 910 820		1.300 1.300
6,90	1.200	2.000	1.180	1.100 870 800		1.000 1.000
7.50	1.100	1.800	1.020	990 840 780		800 800
8.00			870	900 730 750		
8.50			770	830 650 710		
9.00			670	580 620		
9.50			590	520 500		
10.0			500	460 450		
10.5			450	390		
11.0				300		
11.5				250		
12.0				200		

- Rated loads above do not exceed 80% of tipping loads on outriggers and 75% on rubber.  
 - Capacities above bold lines are based only on structural strenght of crane.  
 - Capacities and performances are for crane on firm, level surfaces.  
 - Pick and carry operation: boom has to be centered overfront, used in the shortest possible lenght, min radius, lowest angle, load close to the ground. Negotiating grades (max 10%) is only permitted WITHOUT LOAD and limited to short distance and time.  
 - When needed, outriggers must be fully extended.  
 - When lifting area is not clearly visible by crane's operator, the presence of a second man is mandatory for signaling.  
 - Never handle a load in the area above cab.

Data subject to be changed without any previous notice. Pictures may differ from technical description.

Valla – division of CVS Ferrari Srl

Via Piacenza, 45 – 29010 Calendasco – Piacenza – ITALIA

Tel. 0039 0523 762025 – 762004 – Fax 0039 0523 760531

Internet: [www.valla.com](http://www.valla.com) – email: [info@valla.com](mailto:info@valla.com)